

# DISPLACEMENT TRANSDUCERS

## DP-E Displacement Transducer 500~5000mm



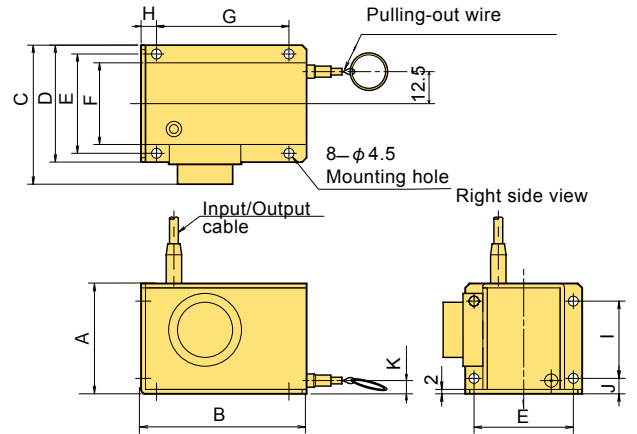
The DP-E displacement transducer is used to measure a large amount of displacement. A stainless steel wire is drawn to measure displacement. The wire tension is constant in the same direction regardless of the amount of displacement. This is a small, lightweight, and high-accuracy transducer.

Protection ratings: IP40 equivalent

### Wire tension type

#### ■ SPECIFICATIONS

TYPE	DP-500E	DP-1000E	DP-2000E	DP-5000E
Capacity	500mm	1000mm	2000mm	5000mm
Rated Output	5mV/V(10000×10 <sup>-6</sup> strain) ±0.3%			
Sensitivity(x10 <sup>-6</sup> strain)/mm	20	10	5	2
Non-linearity	0.3%RO			
Spring force	1.5N		1.7N	2N
Allowable temperature range	-10 ~ +80°C (no condensation)			
Input/Output resistance	Input 210Ω Output 360Ω		Input 200Ω Output 350Ω	
Recommended exciting voltage	2V or less			
Allowable exciting voltage	10V			
Weight	210g	210g	400g	1400g

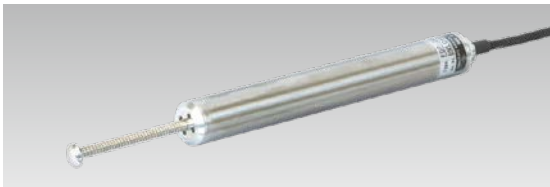


#### ■ DIMENSIONS

TYPE	A	B	C	D	E	F	G	H	I	J	K
DP-500E	50	75	63	53	45	37	62	6	35	7	6
DP-1000E	50	75	63	53	45	37	62	6	35	7	6
DP-2000E	80	98	67	57	49	41	74	16	53	19	6
DP-5000E	137	163	130	80	70	60	110	25	110	15	7.5

Supplied cable :  
CT6-4V10/NJ-STB (φ6mm 0.3mm<sup>2</sup> 4-core shielded vinyl cable 10m)

## FDP-A Waterproof Displacement Transducer 10~100mm



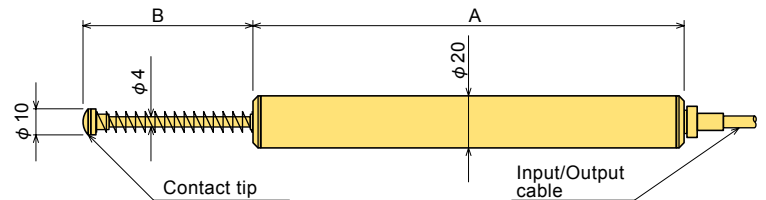
FDP-A series is a DC operated LVDT which can be measured with not only our TDS series data loggers but DC excitation type dynamic strainmeters and handheld strainmeters. In addition to high output and high response, waterproof structure and all stainless steel made external parts make underwater measurement possible.

Protection ratings: IP68 equivalent

### Waterproof type

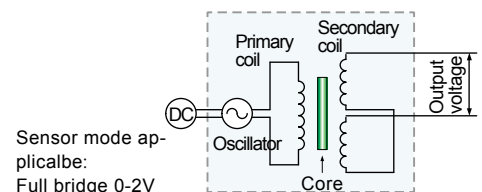
#### ■ SPECIFICATIONS

TYPE	FDP-10A	FDP-25A	FDP-50A	FDP-100A
Capacity	10mm	25mm	50mm	100mm
Rated Output	10000×10 <sup>-6</sup> strain		15000×10 <sup>-6</sup> strain	
Sensitivity(x10 <sup>-6</sup> strain)/mm	1000	600	300	150
Non-linearity	0.5%RO			
Spring force	3N	3.5N		
Frequency response	16Hz	10Hz	8Hz	5Hz
Temperature effect on zero	0.05%RO/°C			
Compensated temperature range	-10 ~ +60°C (no icing)			
Allowable temperature range	-10 ~ +80°C (no icing)			
Recommended exciting voltage	2V or less			
Allowable exciting voltage	5V			
Water pressure resistance	1MPa			
Holders supplied	CDPF-11-25 1 pc.		CDPF-11-25 2 pcs.	
Weight	250g	250g	350g	650g



#### ■ DIMENSIONS

TYPE	A	B
FDP-10A	170	69
FDP-25A	170	69
FDP-50A	230	89
FDP-100A	347	181



#### Instruments

Data Logger



Handheld Data Logger



Dynamic strain recorder



Input/Output cable :  
φ4.6mm 0.14mm<sup>2</sup> 4-core shielded vinyl cable 10m