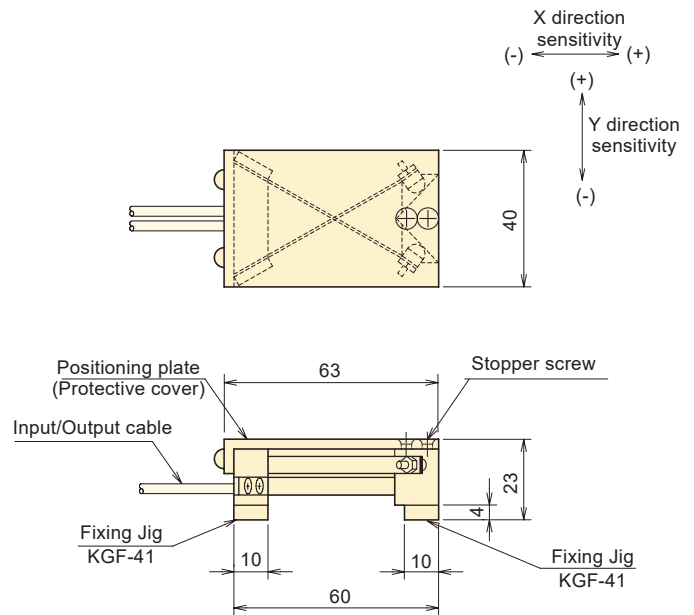


Compact, Light-weight
Easy to handle
Repeated use

The KG-B crack displacement transducer is used to measure the displacement in two directions simultaneously: the displacement of openings, such as concrete cracks or joints, and the horizontal shear displacement. It is mounted on a structure by bonding with adhesive. Because the fixing jigs are detachable, the transducer can be demounted and set on a different structure. This allows this transducer to be used repeatedly on different structures. In addition, the small-size feature makes this transducer suitable for indoor measurement.



■ SPECIFICATIONS

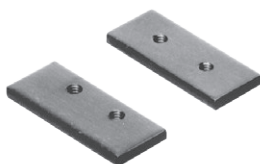
TYPE	KG-3B
Capacity	X-direction : -2mm~+4mm Y-direction : ±3mm
Rated Output	X-direction: Approx. -1~+2mV/V(-2000~+4000×10 ⁻⁶ strain) Y-direction: Approx. ±1.5mV/V (±3000×10 ⁻⁶ strain)
Sensitivity	Approx. 1000×10 ⁻⁶ strain/mm
Non-linearity	1%RO
Cross sensitivity	X-direction : 1.5%RO Y-direction : 2.0%RO
Allowable temperature range	0 ~ +40°C
Input/Output resistance	350Ω
Recommended exciting voltage	2V or less
Allowable exciting voltage	5V
Fixing Jig	1 pc.
Weight	180g

Input/Output cable : φ3mm 0.05mm² 4-core shielded chloroprene cable 2m, 2 pcs.

■ ACCESSORY

Fixing Jig KGF-41

This jig is bonded onto concrete surface to mount the transducer. (2 pcs/set)



Dummy plate KGF-61

This plate is temporarily mounted to maintain proper gauge length for installation of the transducer with KGF-41 jig.

