

September 13, 2019

SPECIFICATIONS

Product Low-capacity Tri-axial
Acceleration Transducer
Type ARF-100A-T

Tokyo Measuring Instruments Laboratory Co., Ltd.

R&D Division

Prepared by: Takahumi Aida

Supervised by: Shunsuke Ezama

Approved by: Yutaka Sato

SPECIFICATIONS

| | | | | |
|-------------------------------|---------------------|---------------------|-----------------------------|-------------------------------------|
| Type: | ARF-100A-T | | | |
| Capacity: | 100 | | m/s^2 | *(10.2 G) |
| Rated output: | Approx. 0.5 | | mV/V | |
| | Approx. 1000 | | $\times 10^{-6}$ | (Strain output K=2.00) |
| Nonlinearity: | 1 | | %RO | |
| Frequency response range: | DC ~ 180 | | Hz | (Sensitivity deviation $\pm 10\%$) |
| Natural frequency: | 300 | | Hz | |
| Cross sensitivity: | 3 | | %RO | |
| Allowable temperature range: | -10 | ~ | +50 | $^{\circ}\text{C}$ |
| Allowable overload: | 300 | | % | |
| Input/output resistance: | 120 | | Ω | |
| Recommended exciting voltage: | 2 | | V or less | |
| Allowable exciting voltage: | 5 | | V | |
| Weight: | Approx. 85 | | g | |
| Protection rating: | IP | 61 | equivalent | |
| Input/output cable: | $\Phi 3.2\text{mm}$ | 0.08 mm^2 | 4-core shielded vinyl cable | 5 m |

* Value in gravitational system of units is shown in parentheses for reference purposes.

A

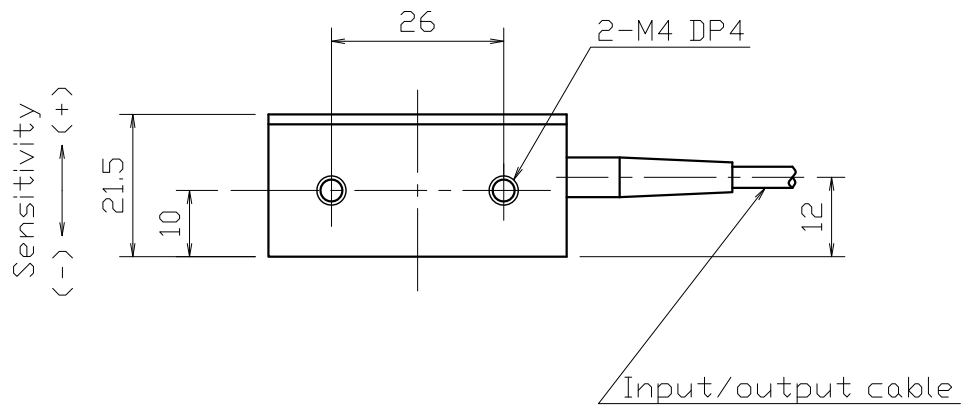
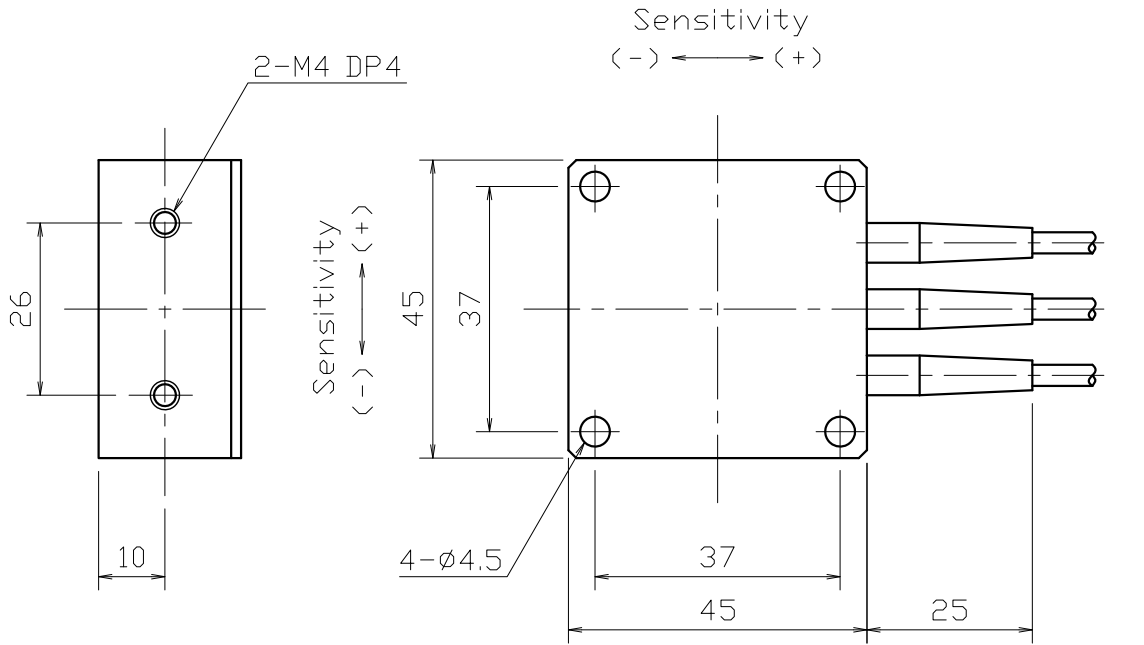
B

C


D

E

F



Unit: mm

| | |
|--|---------------|
| PRODUCT NAME | ARF-100A-T |
| DRAWING NAME | Outer view |
| DRAWING NUMBER | F22-00205D(E) |
|  Tokyo Measuring Instruments Lab. | |