

September 13, 2019

SPECIFICATIONS

Product Low-capacity Tri-axial
Acceleration Transducer

Type ARF-200A-T

Tokyo Measuring Instruments Laboratory Co., Ltd.

R&D Division

Prepared by: Takahumi Aida

Supervised by: Shunsuke Ozawa

Approved by: Yutaka Sato

SPECIFICATIONS

Type:	ARF-200A-T			
Capacity:	200		m/s ²	*(20.4 G)
Rated output:	Approx. 0.5		mV/V	
	Approx. 1000		×10 ⁻⁶	(Strain output K=2.00)
Nonlinearity:	1		%RO	
Frequency response range:	DC ~ 310		Hz	(Sensitivity deviation ±10%)
Natural frequency:	520		Hz	
Cross sensitivity:	3		%RO	
Allowable temperature range:	-10	~	+50	°C
Allowable overload:	300		%	
Input/output resistance:	120		Ω	
Recommended exciting voltage:	2		V or less	
Allowable exciting voltage:	5		V	
Weight:	Approx. 85		g	
Protection rating:	IP	61	equivalent	

Input/output cable:	Φ3.2mm	0.08 mm ²	4-core shielded vinyl cable	5 m
---------------------	--------	----------------------	-----------------------------	-----

* Value in gravitational system of units is shown in parentheses for reference purposes.

A

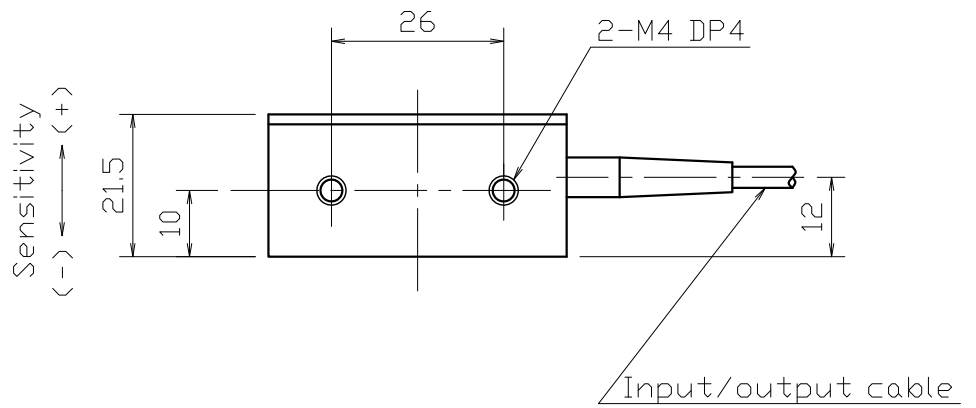
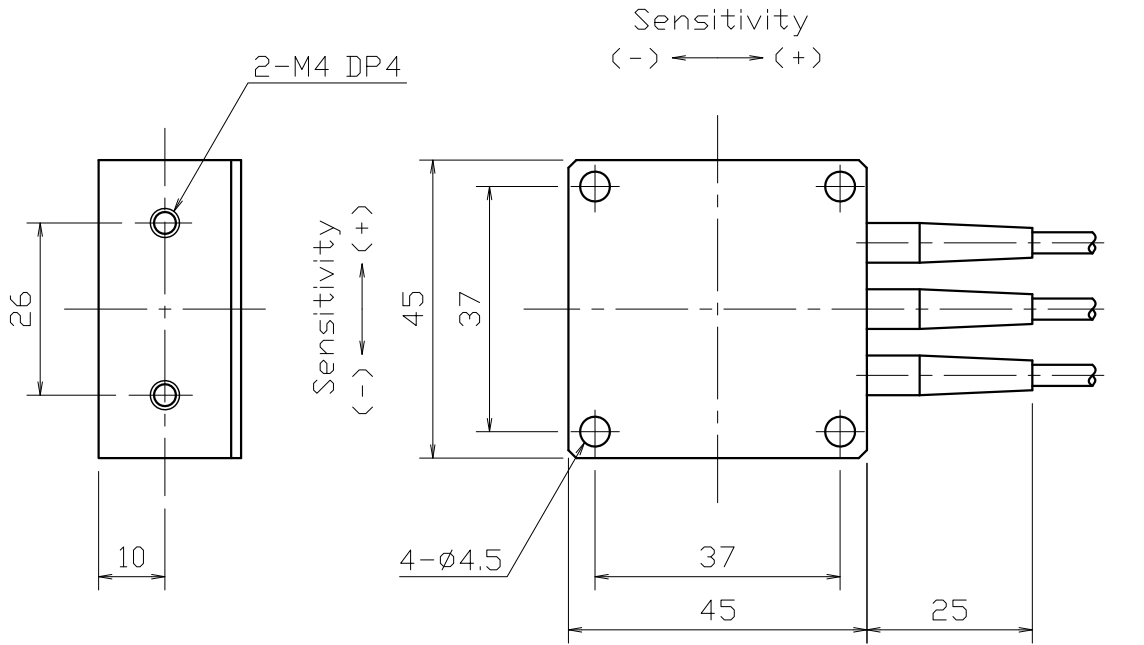
B

C


D

E

F



Unit: mm

PRODUCT NAME	ARF-200A-T
DRAWING NAME	Outer view
DRAWING NUMBER	F22-00206D(E)
 Tokyo Measuring Instruments Lab.	