

September 13, 2019

SPECIFICATIONS

Product Low-capacity Tri-axial
Acceleration Transducer

Type ARF-50A-T

Tokyo Measuring Instruments Laboratory Co., Ltd.

R&D Division

Prepared by: Takahumi Aida

Supervised by: Shunsuke Ezuma

Approved by: Yutaka Sato

SPECIFICATIONS

Type:	ARF-50A-T			
Capacity:	50		m/s^2	*(5.10 G)
Rated output:	Approx. 0.5		mV/V	
	Approx. 1000		$\times 10^{-6}$	(Strain output K=2.00)
Nonlinearity:	1		%RO	
Frequency response range:	DC ~ 130		Hz	(Sensitivity deviation $\pm 10\%$)
Natural frequency:	240		Hz	
Cross sensitivity:	3		%RO	
Allowable temperature range:	-10	~	+50	$^{\circ}C$
Allowable overload:	300		%	
Input/output resistance:	120		Ω	
Recommended exciting voltage:	2		V or less	
Allowable exciting voltage:	5		V	
Weight:	Approx. 85		g	
Protection rating:	IP	61	equivalent	

Input/output cable:	$\Phi 3.2mm$	$0.08 mm^2$	4-core shielded vinyl cable	5 m
---------------------	--------------	-------------	-----------------------------	-----

* Value in gravitational system of units is shown in parentheses for reference purposes.

A

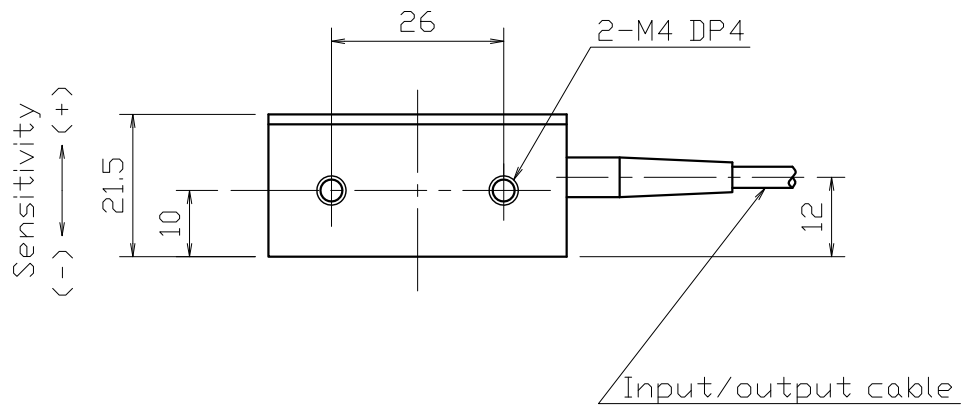
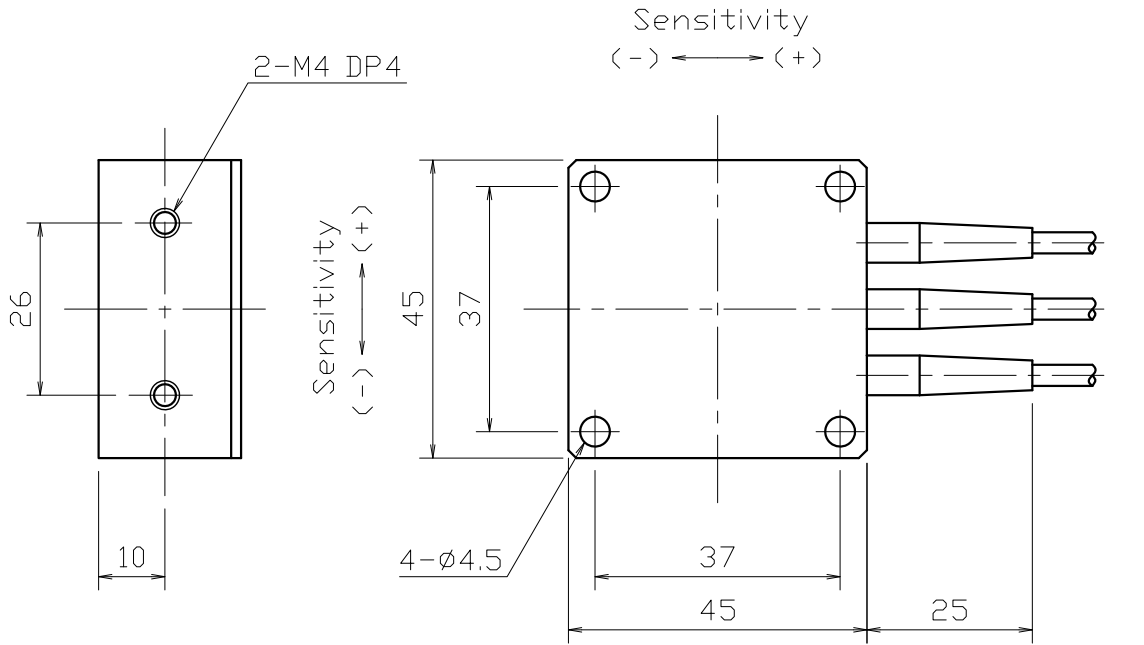
B

C


D

E

F



Unit: mm

PRODUCT NAME	ARF-50A-T
DRAWING NAME	Outer view
DRAWING NUMBER	F22-00204D(E)
 Tokyo Measuring Instruments Lab.	