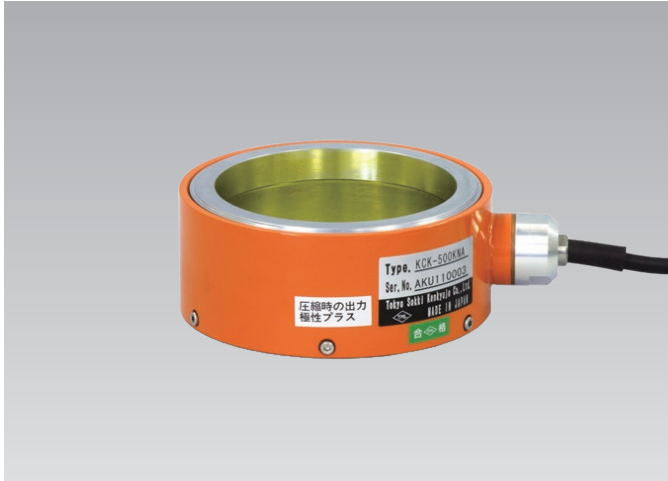


Strand post-tension measurement

KCK-NA Center-hole type Compression Load Cell

Civil engineering design

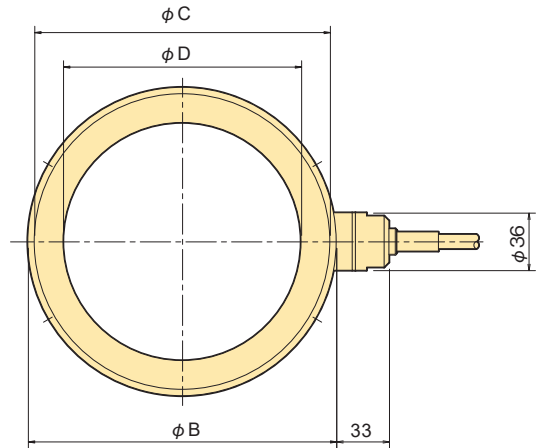
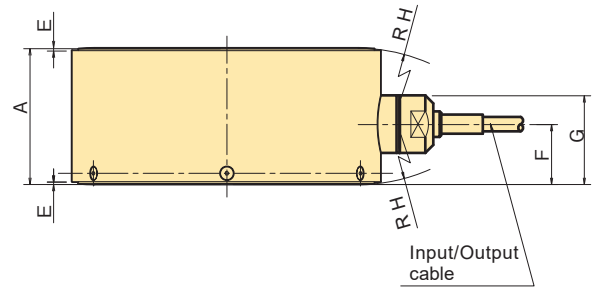


The KCK-NA is a center-hole type load cell designed to use in tension measurement of strand post-tensioning anchor such as lift-off testing and monitoring of existing anchor.

Protection ratings: IP67 equivalent

N.B.: The measured value of this load cell shows "+" polarity with increase in compression load.

- Large center-hole
- Lightweight
- Low profile



■ DIMENSIONS

TYPE	A	φB	φC	φD	E	F	G	H
KCK-500KNA	65	155	140	120	1.5	32.5	50.5	75
KCK-1MNA	85	193	185	149	1.5	37.5	55.5	110

■ SPECIFICATIONS

TYPE	KCK-500KNA	KCK-1MNA
Capacity	500kN	1MN
Rated Output	1.25mV/V (2500×10 ⁻⁶ strain) ±10%	1.4mV/V (2800×10 ⁻⁶ strain) ±10%
Non-linearity	1%RO	
Hysteresis	1%RO	
Temperature effect on zero	0.1%RO/°C	
Temperature effect on span	0.05%/°C	
Compensated temperature range	-10 ~ +60°C	
Allowable temperature range	-30 ~ +70°C	
Over load	120%	
Ultimate overload rating	200%	
Input/Output resistance	350Ω±1%	
Recommended exciting voltage	10V or less	
Allowable exciting voltage	20V	
Zero balance	5%RO	
Weight	3.0kg	5.5kg

Input/Output cable : φ9mm 0.5mm² 4-core shielded chloroprene cable 5m