

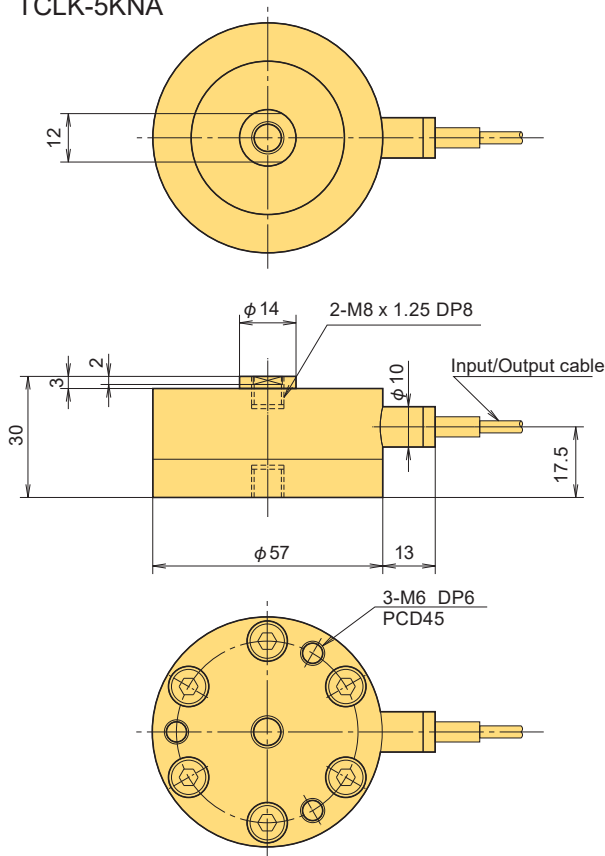
TCLK-NA Tension/Compression Universal Load Cell 5~50kN



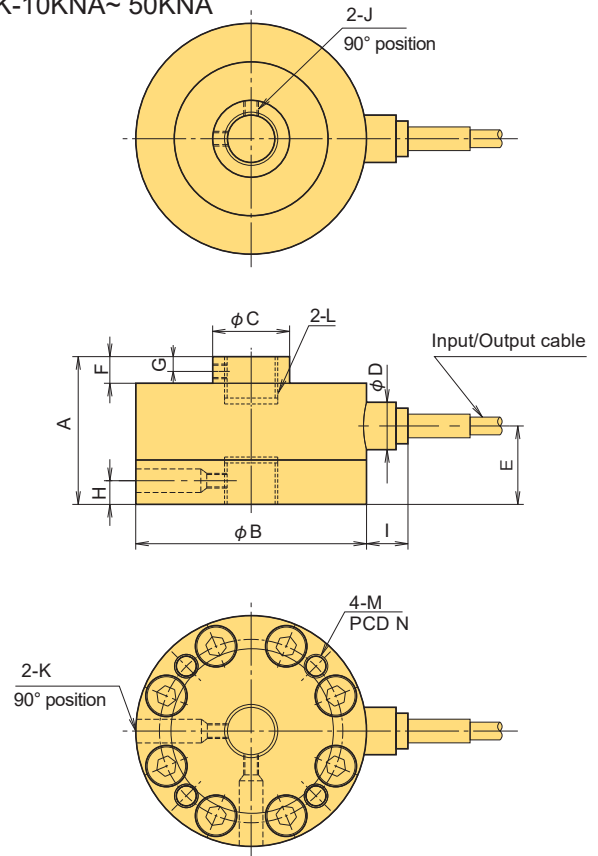
Low profile Hermetically sealed

The TCLK-NA Tension/Compression Universal Load Cell has a low profile construction that serves to save installation space.
Protection ratings: IP67 equivalent

TCLK-5KNA



TCLK-10KNA~ 50KNA



■ DIMENSIONS

TYPE	A	φB	φC	φD	E	F	G	H	I	J	K	L	M	N
TCLK-5KNA	As per the figure													
TCLK-10KNA	40	68	20	16	22	6	3	6	14	M3	M4 φ6 DP22	M12 x 1.75 DP13	M6 DP8	55
TCLK-20KNA	50	78	26	16	26.5	9	5	8	14	M5	M5 φ8 DP22	M18 x 1.5 DP16	M8 DP10	62
TCLK-50KNA	62	100	33	16	31	9	5	10	14	M5	M5 φ8 DP22	M24 x 2 DP20	M8 DP10	80

■ SPECIFICATIONS

TYPE	TCLK-5KNA	TCLK-10KNA	TCLK-20KNA	TCLK-50KNA
Capacity	5kN	10kN	20kN	50kN
Rated Output	2mV/V(4000×10 ⁻⁶ strain) ±1%			
Non-linearity	0.1%RO			
Hysteresis	0.1%RO			
Natural frequency	18kHz	17kHz	17kHz	14kHz
Temperature effect on zero	0.01%RO/°C			
Temperature effect on span	0.01%/°C			
Compensated temperature range	-10 ~ +60°C			
Allowable temperature range	-20 ~ +70°C			
Over load	150%			
Input/Output resistance	350Ω±2%			
Recommended exciting voltage	6V or less			
Allowable exciting voltage	15V			
Zero balance	5%RO			
Weight	0.45kg	0.8kg	1.3kg	2.6kg

■ FITTING ACCESSORY

TYPE	Spherical Cap FA	Rod End FE	Load Button FG
TCLK-5KNA	FA-20	FE-05C	FG-05B
TCLK-10KNA	FA-60	FE-1A	FG-1
TCLK-20KNA	FA-80	FE-2A	FG-2
TCLK-50KNA	FA-100	FE-5A	FG-5

Refer to pages 35~38 for load cell fitting accessories.

Input/Output cable :

TCLK-5KNA φ3mm 0.05mm² 4-core shielded chloroprene cable 5m
TCLK-10KNA~50KNA φ6mm 0.35mm² 4-core shielded chloroprene cable 5m